

Slim Duct

Model : ARYG12LLTB / ARYG14LLTB / ARYG18LLTB



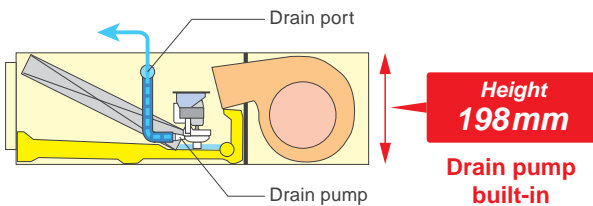
Wired R.C.



Features

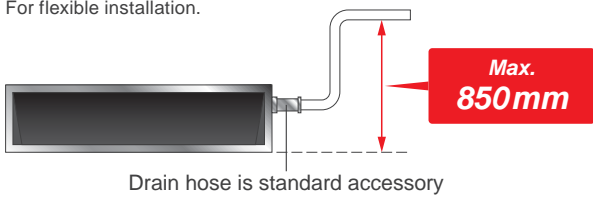
Slim design

The slim design allows installations where ceilings are narrow.



Drain hose as standard accessory

For flexible installation.



Selectable with a wide range of static pressure

By using the DC fan motor, it is possible to change the static pressure range from 0 to 90Pa.

The change of static pressure range is possible by remote controller.



Flexible installation

Ceiling concealed

Floor concealed



Auto Louver Grille Kit (Option)

Simple flat Auto Louver will provide comfort airflow and harmonize with luxury interior.

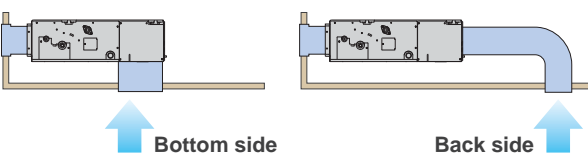
Auto Louver Grille

4 steps selectable and auto swing



Air-intake

Air intake direction can be selected to match the installation site.



Optional parts

Wired Remote Controller:	UTY-RNNYM, UTY-RVNYM
Simple Remote Controller:	UTY-RSNYM
IR Receiver Kit:	UTY-LRHYM
Remote Sensor Unit:	UTY-XSZX
External Control Set:	UTD-ECS5A
Auto Louver Grille Kit:	UTD-GXSA-W (For ARYG12 / 14LLTB) UTD-GXSB-W (For ARYG18LLTB)

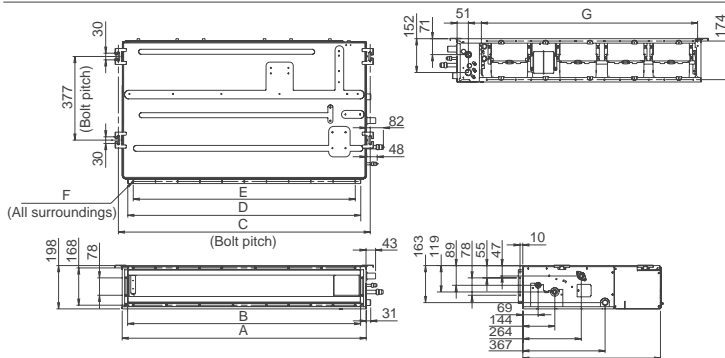


Specifications

Model No.	Indoor unit		ARYG12LLTB	ARYG14LLTB	ARYG18LLTB
	Outdoor unit		AOYG12LALL	AOYG14LALL	AOYG18LALL
Power Source	V/∅/Hz		230/1/50	230/1/50	230/1/50
Capacity	Cooling	kW	3.5(0.9~4.4)	4.3(0.9~5.4)	5.2(0.9~5.9)
	Heating		4.1(0.9~5.7)	5.0(0.9~6.5)	6.0(0.9~7.5)
Input Power	Cooling/Heating	kW	1.05/1.11	1.33/1.34	1.62/1.66
EER	Cooling	W/W	3.33	3.21	3.21
COP	Heating		3.69	3.71	3.61
Pdesign	Cooling/Heating	kW	3.5/4.2	4.3/4.5	5.2/5.2
SEER	Cooling	W/W	5.90	5.80	6.20
SCOP	Heating		4.00	3.90	4.10
Energy Efficiency Class	Cooling		A+	A+	A++
	Heating		A+	A	A+
Running Current	Cooling/Heating	A	4.8/5.1	6.1/6.1	7.2/7.4
Annual Energy Consumption	Cooling	kWh/a	207	259	293
	Heating		1467	1614	1774
Moisture Removal			l/h	1.3	1.5
Sound Pressure (Cooling)	Indoor	H/M/L/Q	29/28/26/25		32/30/29/27
	Outdoor		High	47	
Sound Power (Cooling)	Indoor	High	58	60	58
	Outdoor		High	61	62
Airflow Rate (High)	Indoor / Outdoor		m³/h	650/1780	800/1910
Static pressure range (Standard)			Pa	0 to 90(25)	0 to 90(25)
Net Dimension H x W x D	Indoor	mm		198x700x620	198x700x620
		kg(lbs)		19(42)	19(42)
	Outdoor	mm		578x790x300	578x790x300
		kg(lbs)		40(88)	40(88)
Piping Connections (Small / Large)			mm	6.35/9.52	6.35/12.70
Drain Hose Diameter (I.D./O.D.)			mm	25/32	25/32
Max Pipe Length (Pre-Charge)			m	25(15)	25(15)
Max Height Difference				15	15
Operation Range	Cooling	°CDB	-10~46	-10~46	-10~46
	Heating		-15~24	-15~24	-15~24
Refrigerant (Global Warming Potential)			R410A(1,975)	R410A(1,975)	R410A(1,975)

Dimensions Models : ARYG12LLTB / ARYG14LLTB / ARYG18LLTB

(Unit : mm)



	ARYG12 / 14LLTB	ARYG18LLTB
A	700	900
B	650	850
C	734	934
D	650	850
E	P100x6=600	P100x8=800
F	18x∅5	22x∅5
G	574	774