

**Model :** **NEW** ABYG30LRTE / **NEW** ABYG36LRTE / **NEW** ABYG45LRTA /  
 ABYG36LRTA [3phase] / ABYG45LRTA [3phase] / ABYG54LRTA [3phase]



Wireless R.C.



For ABYG30/36LRTE

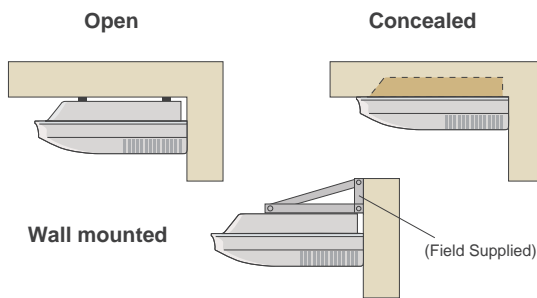


For ABYG36/45/54LRTA



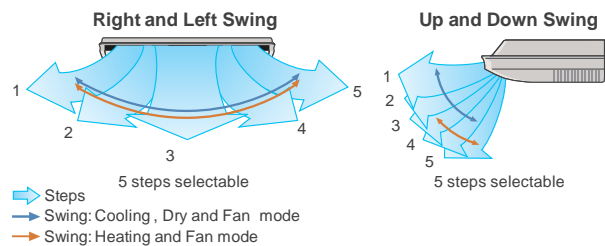
## Features

### Installation



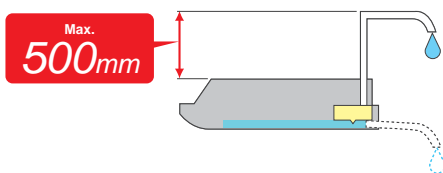
### Multi auto swing

A combination of right/left and up/down directional swing allows 3-dimensional air direction control.

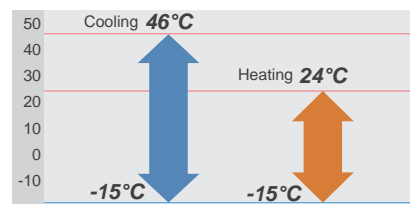


### Condensate lift-up mechanism (Option)

Optional drain lift-up mechanism allows flexible installation.



### Low ambient operation



### Easy installation

Main work settings can be done easily from the remote controller at installation

#### Main work settings

- High ceiling setting
- Auto restart
- Temperature adjustment when cooling / heating

#### Conventional type

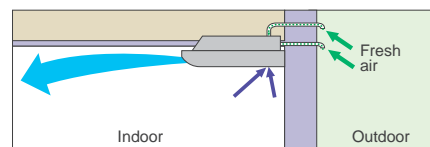
Setting by DIP switch inside control box



#### Setting by wireless or wired remote controller



### Fresh air intake



### Optional parts

Wired Remote Controller:	UTY-RNNYM, UTY-RVNYM
Simple Remote Controller:	UTY-RSNYM
Drain Pump Unit:	UTR-DPB24T
External Connect Kit:	UTY-XWZX UTY-XWZX22 UTY-XWZX23
External Control Set:	UTD-ECS5A
Flange:	UTD-RF204

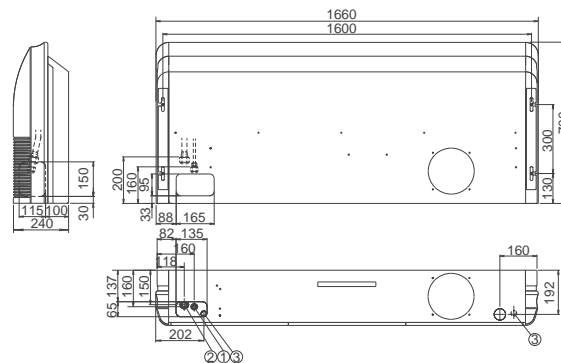


## Specifications

Model No.	Indoor unit		ABYG30LRTE	ABYG36LRTE	ABYG45LRTE	ABYG36LRTE	ABYG45LRTE	ABYG54LRTE
	Outdoor unit		AOYG30LETL	AOYG36LETL	AOYG45LETL	AOYG36LATT	AOYG45LATT	AOYG54LATT
Power Source	V/∅/Hz		230/1/50	230/1/50	230/1/50	400/3/50	400/3/50	400/3/50
Capacity	Cooling	kW	8.5(2.8~10.0)	9.4(2.8~11.2)	12.1(4.0~13.3)	10.0(4.7~11.4)	12.5(5.0~14.0)	14.0(5.4~16.0)
	Heating		10.0(2.7~11.2)	11.2(2.7~12.7)	13.3(4.2~15.5)	11.2(5.0~14.0)	14.0(5.4~16.2)	16.0(5.8~18.0)
Input Power	Cooling/Heating	kW	2.65/2.77	2.93/3.02	3.77/3.68	2.84/2.87	3.89/3.88	4.65/4.67
EER	Cooling	W/W	3.21	3.21	3.21	3.52	3.21	3.01
COP	Heating		3.61	3.71	3.61	3.90	3.61	3.43
Pdesign	Cooling/Heating	kW	8.5/8.0	9.4/8.7	-	10.0/10.0	-	-
SEER	Cooling	W/W	6.10	6.00	-	6.10	-	-
SCOP	Heating		4.20	4.10	-	4.10	-	-
Energy Efficiency Class	Cooling	A++		A+	-	A++	-	-
	Heating	A+		A+	-	A+	-	-
Running Current	Cooling/Heating	A	11.6/12.2	12.8/13.2	16.5/16.1	4.3/4.4	5.8/5.8	6.9/6.9
Annual Energy Consumption	Cooling	kWh/a	487	548	-	573	-	-
	Heating		2662	2965	-	3414	-	-
Moisture Removal			2.5	3.0	4.0	3.0	4.5	5.0
Sound Pressure (Cooling)	Indoor	H/M/L/Q	45/43/37/32		47/43/37/32	49/45/39/34		51/48/42/38
	Outdoor		High	53		54	55	
Sound Power (Cooling)	Indoor	High	57		60	61		61
	Outdoor		High	68		69	67	
Airflow Rate (High)	Indoor / Outdoor	m³/h	1660/3600	1900/3800	2100/6200	1900/6200	2100/6900	2300/6900
Net Dimension H x W x D	Indoor	mm	240x1660x700	240x1660x700	240x1660x700	240x1660x700	240x1660x700	240x1660x700
		kg(lbs)	46(101)	46(101)	46(101)	46(101)	46(101)	48(106)
		mm	830x900x330	830x900x330	1290x900x330	1290x900x330	1290x900x330	1290x900x330
	Outdoor	kg(lbs)	61(135)	61(135)	86(190)	104(229)	104(229)	104(229)
Piping Connections (Small / Large)			9.52/15.88	9.52/15.88	9.52/15.88	9.52/15.88	9.52/15.88	9.52/15.88
Drain Hose Diameter (I.D./O.D.)			21.5/26.0	21.5/26.0	21.5/26.0	21.5/26.0	21.5/26.0	21.5/26.0
Max Pipe Length (Pre-Charge)			50(20)	50(20)	50(20)	75(30)	75(30)	75(30)
Max Height Difference			30	30	30	30	30	30
Operation Range	Cooling	°CDB	-15~46	-15~46	-15~46	-15~46	-15~46	-15~46
	Heating		-15~24	-15~24	-15~24	-15~24	-15~24	-15~24
Refrigerant (Global Warming Potential)			R410A(1,975)	R410A(1,975)	R410A(1,975)	R410A(1,975)	R410A(1,975)	R410A(1,975)

## Dimensions Models : ABYG30LRTE / ABYG36LRTE / ABYG36LRTE / ABYG45LRTE / ABYG54LRTE

(Unit : mm)



- ① Refrigerant piping flare connection (Liquid)
- ② Refrigerant piping flare connection (Gas)
- ③ Drain piping connection